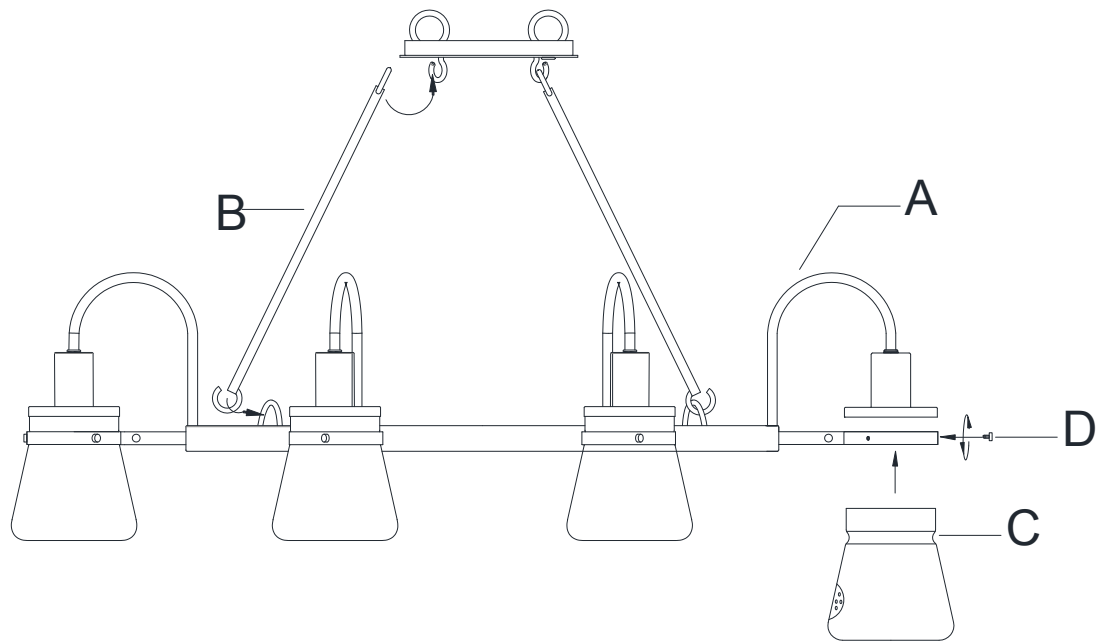




ASSEMBLY INSTRUCTIONS

ITEM NO.: 1-3502-6-13



B → A → C → D

1. Carefully unpack and identify all parts referring to illustration for parts identification.
2. Turn the power to the installation point OFF.
3. Carefully place the both ends of the support arm (B) to the hooks of the fixture body (A) as shown in the diagram.
4. Locate the glass shade (C) to the socket, secure with screws (D). Please sure that the neck of glass shade (C) is locked by the screws (D).
5. Install proper bulbs (not provided) to the sockets referring to the marking and/or labels on the fixture for maximum wattage.
6. Restore the power to the installation point ON.
7. Assembly is completely. Retain this sheet for future reference.